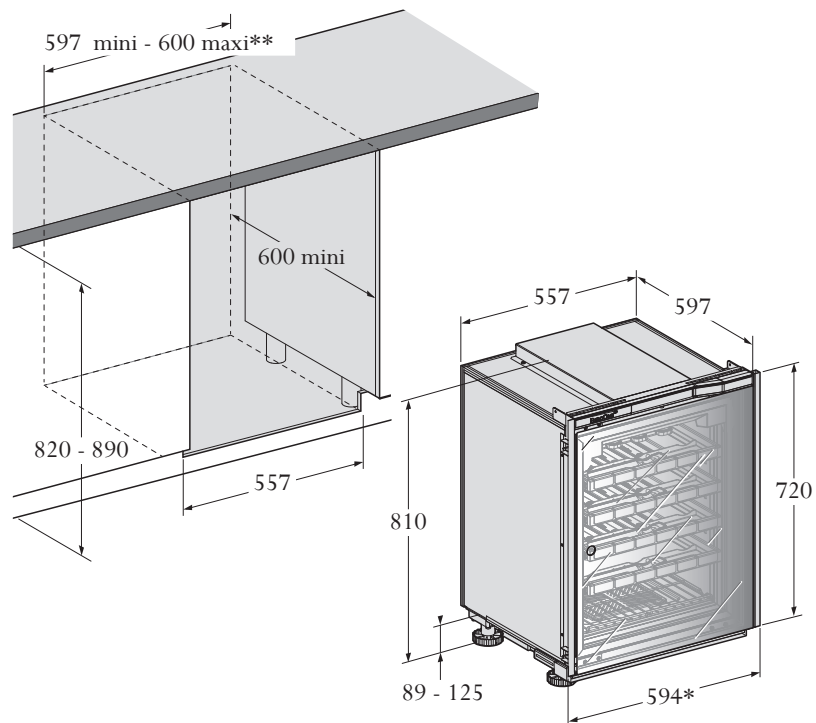


S size Ref. V-INSP-S / S-INSP-S

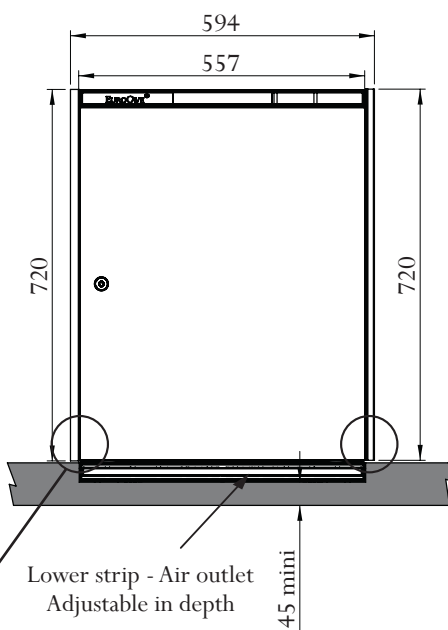
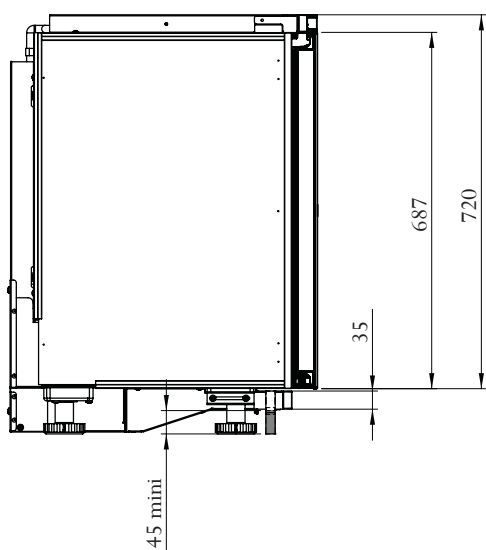
"Built-in" version

Built-in between 2 furnitures. Installed on the floor.
Full Glass door.



Side view

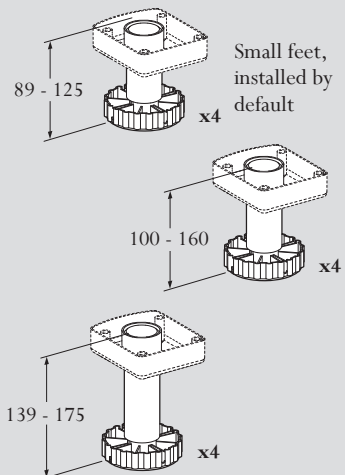
Front view



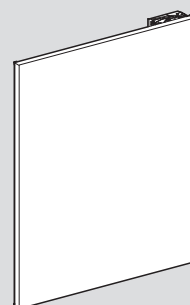
Fillers to be cutted.
Refer to the quickstart
or the IFU.

* with fillers.

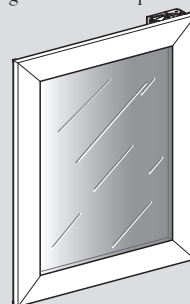
**Depending on the tolerances of the different elements (body, fillers, furniture).



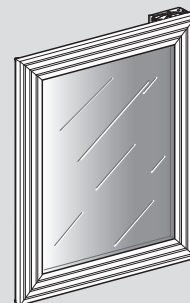
3 heights of feet,
delivered with the wine cabinet



Technical solid door
(thickness of the decor panel = 20mm max.
weight of the decor panel: 12Kg)



Stainless steel glass door



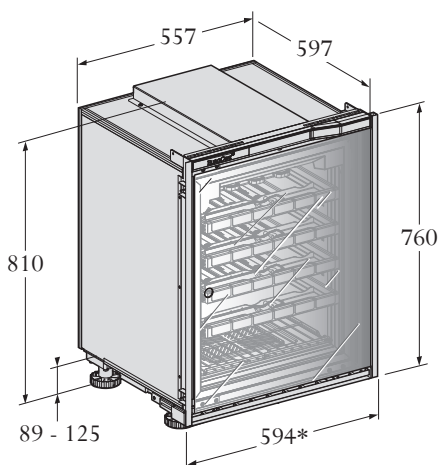
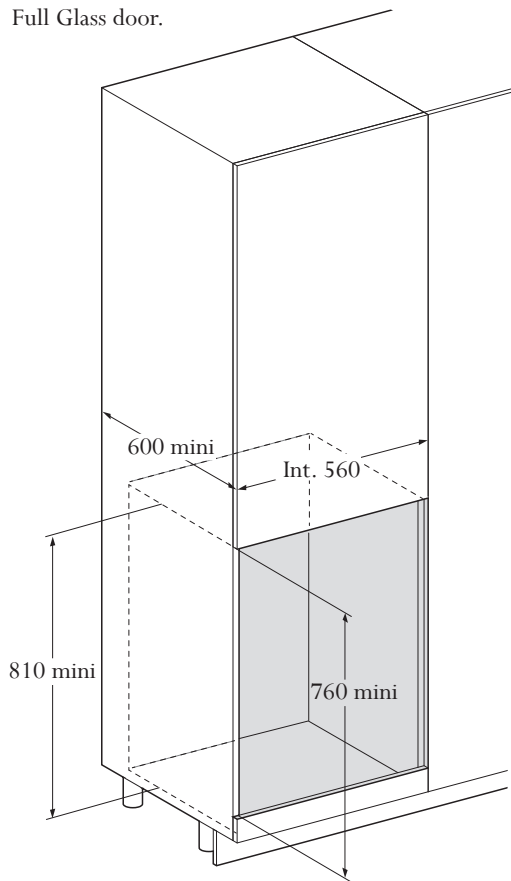
Technical glass door
(thickness of the decor panel = 20mm max.
weight of the decor panel: 12Kg)

S size Ref.V-INSP-S / S-INSP-S

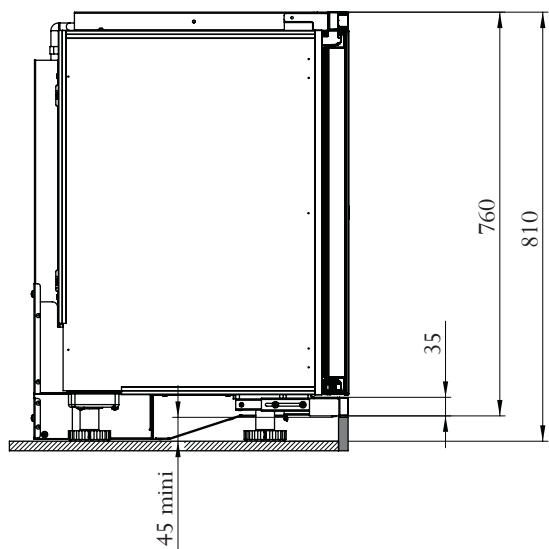
"Flush-fitted" version

Fitted in a kitchen furniture.

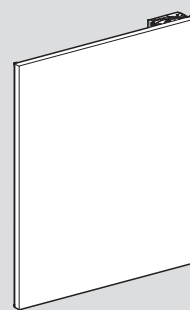
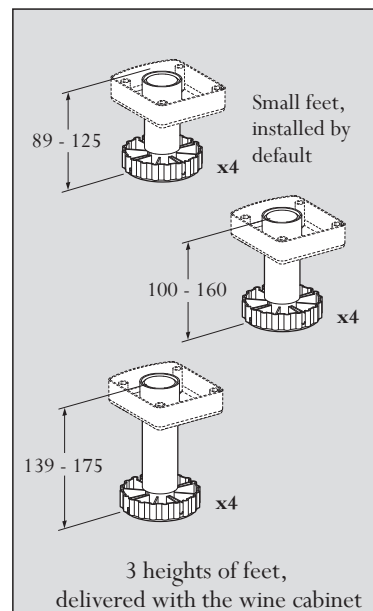
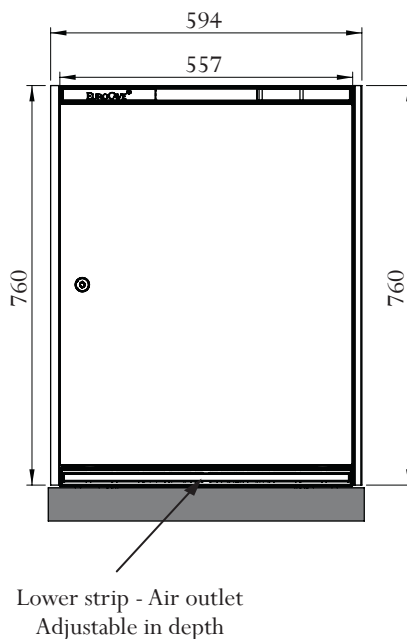
Full Glass door.



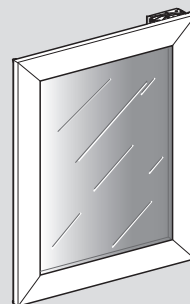
Side view



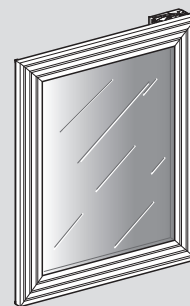
Front view



Technical solid door
(thickness of the decor panel = 20mm max.
weight of the decor panel: 12Kg)
Do not use the fillers. Refer on p.8.



Stainless steel glass door



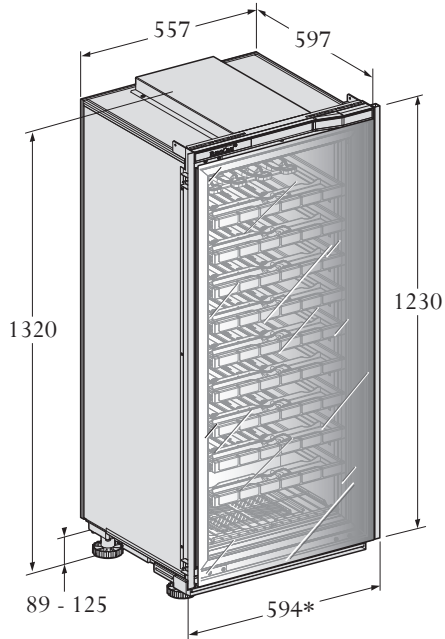
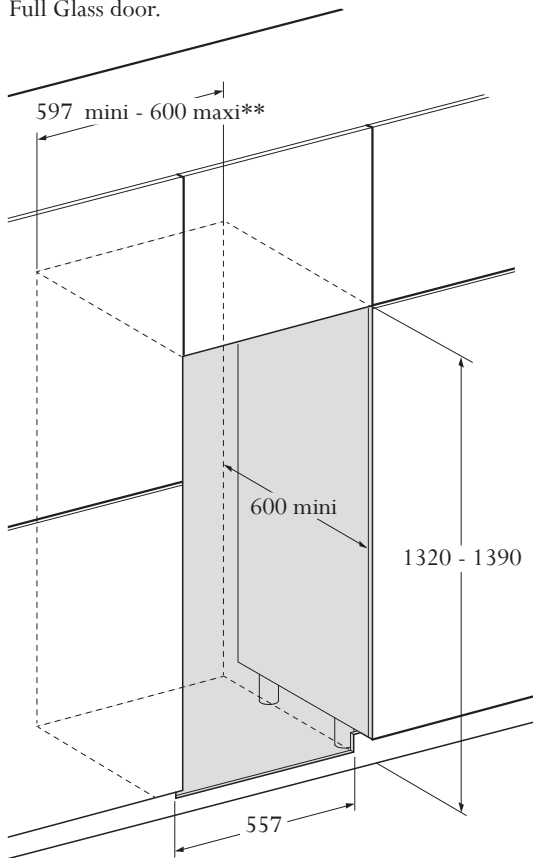
Technical glass door
(thickness of the decor panel = 20mm max.
weight of the decor panel: 12Kg)
Do not use the fillers. Refer on p.8.

* with fillers.

M size Ref.V-INSP-M / D-INSP-M

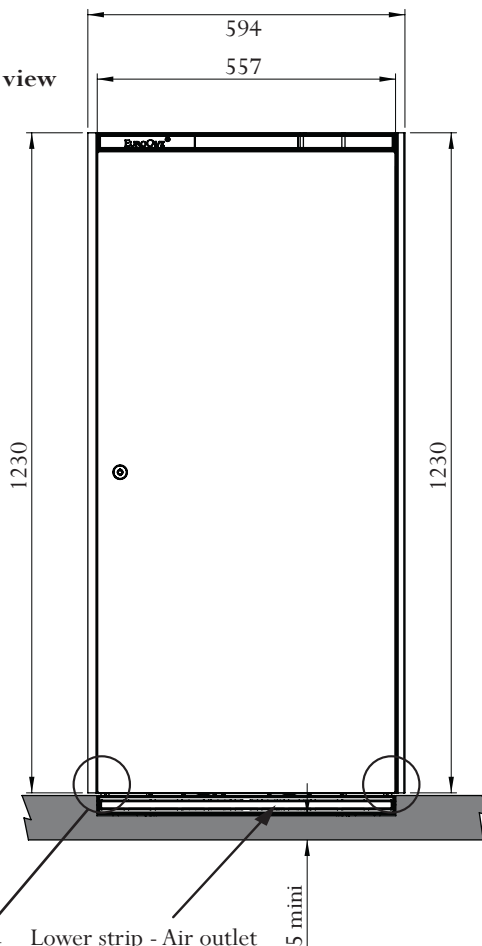
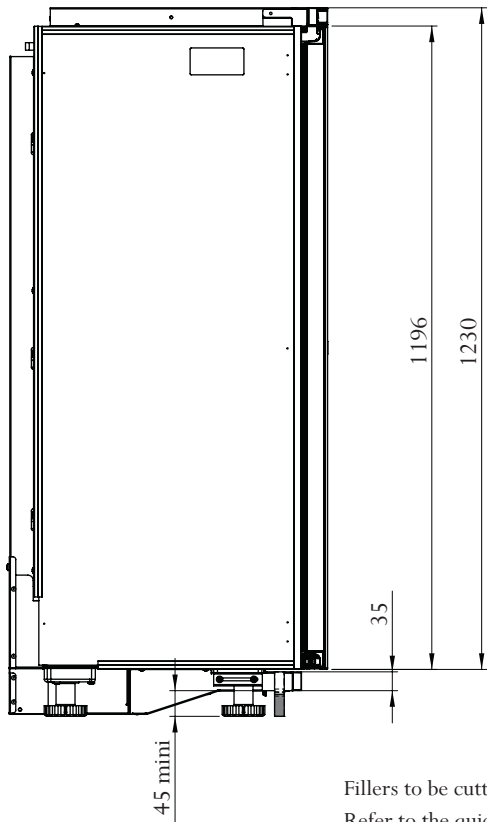
"Built-in" version

Built-in between 2 furnitures. Installed on the floor.
Full Glass door.



Side view

Front view



Fillers to be cutted.
Refer to the quickstart
or the IFU.

Lower strip - Air outlet
Adjustable in depth

Small feet,
installed by
default

3 heights of feet,
delivered with the wine cabinet

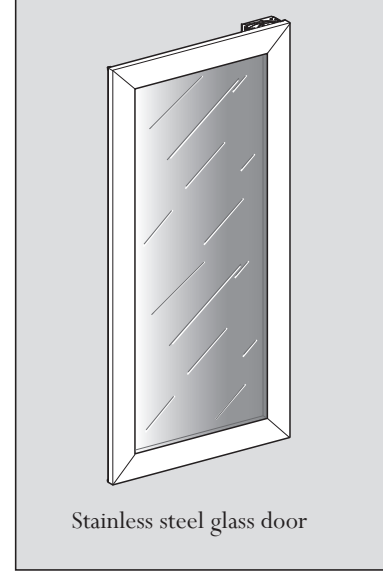
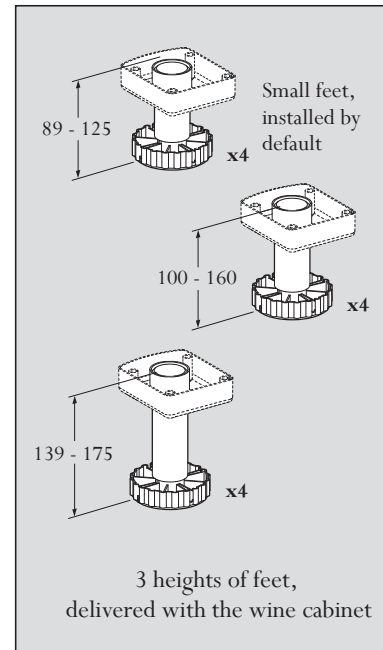
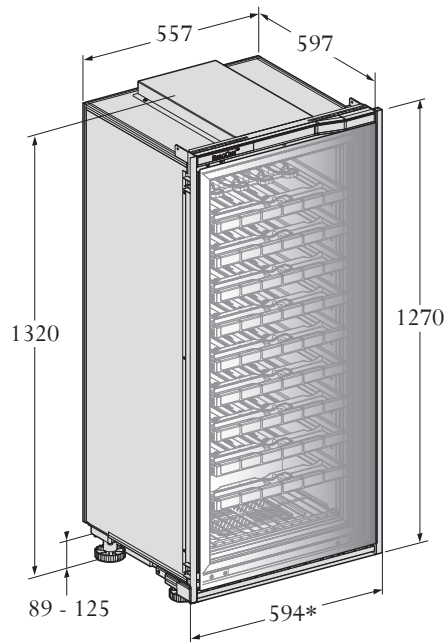
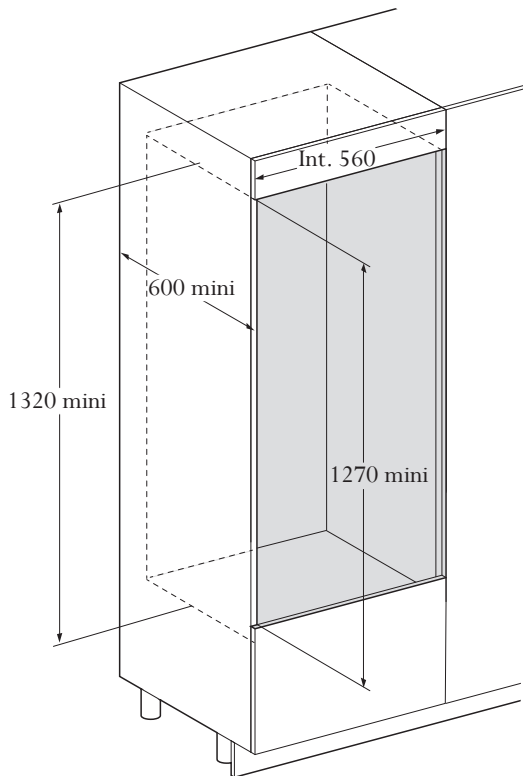
Stainless steel glass door

* with fillers
** Depending on the tolerances
of the different elements (body, fillers, furniture).

M size Ref. V-INSP-M / D-INSP-M

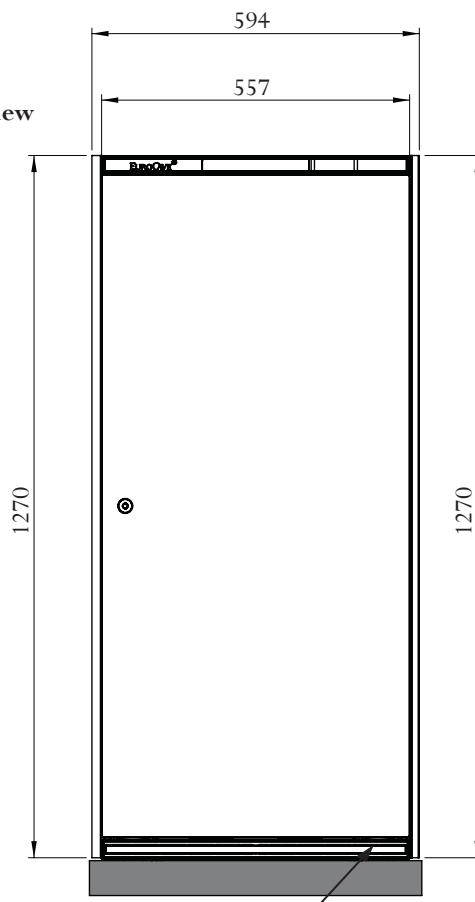
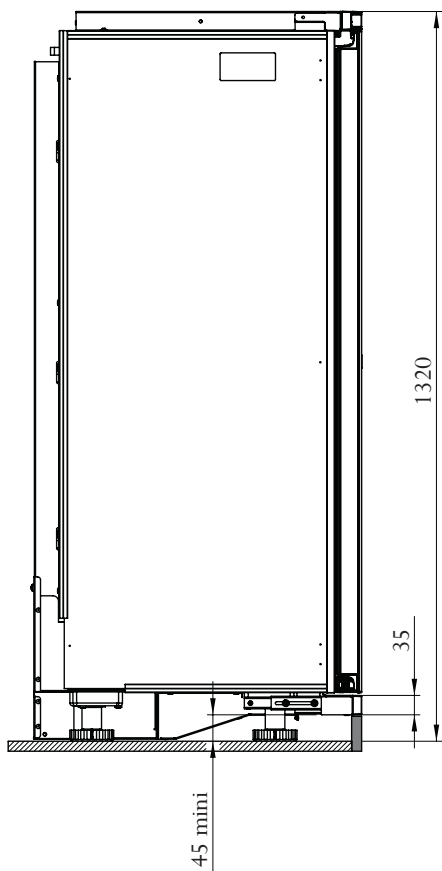
"Flush-fitted" version

Fitted in a kitchen furniture.
Full Glass door.



Side view

Front view



Lower strip - Air outlet
Adjustable in depth

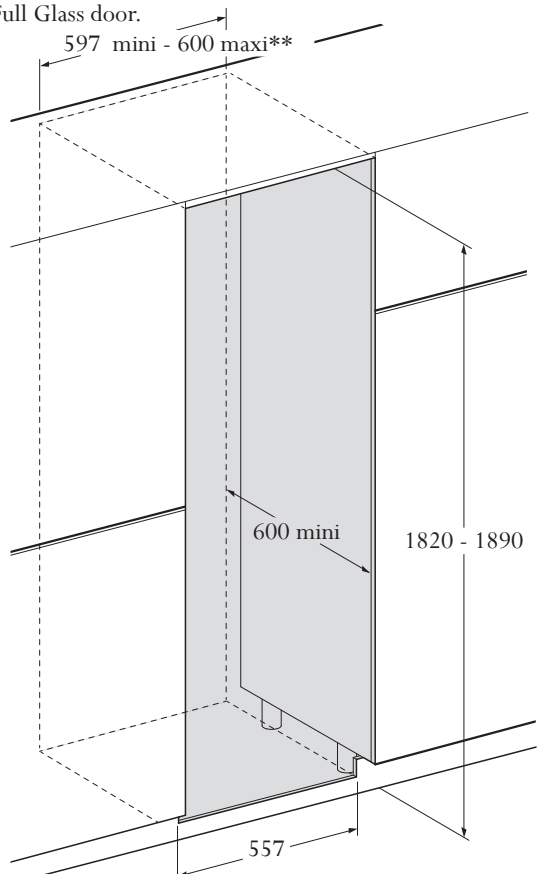
* with fillers.

L size Ref. V-INSP-L

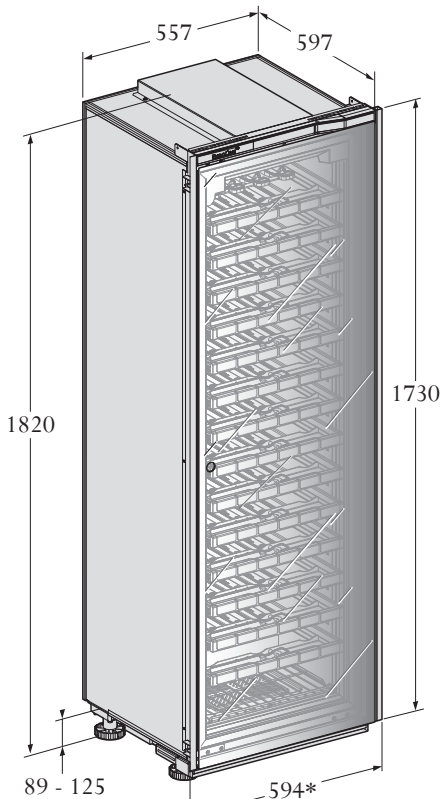
"Built-in" version

Built-in between 2 furnitures. Installed on the floor.

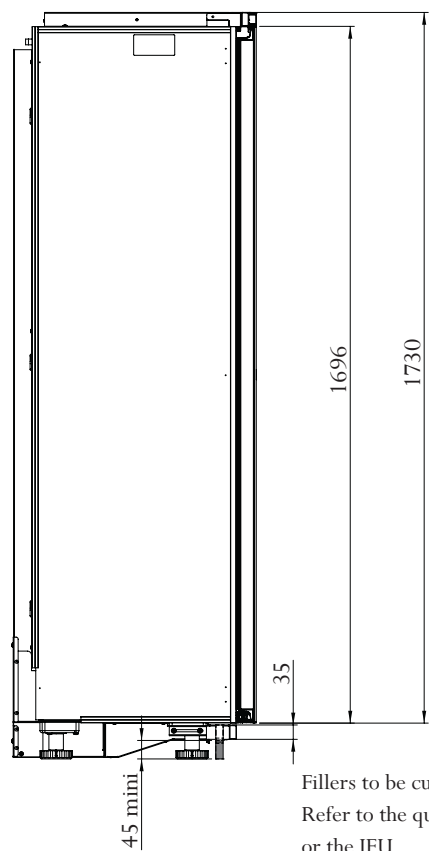
Full Glass door.



Side view



Front view



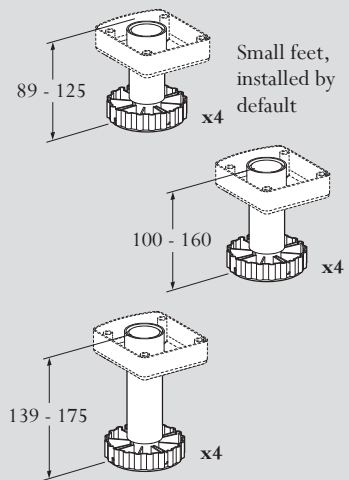
Fillers to be cutted.
Refer to the quickstart
or the IFU.

Lower strip - Air outlet
Adjustable in depth

45 mini

* with fillers.

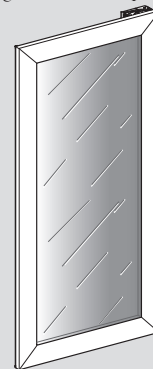
**Depending on the tolerances of the different elements (body, fillers, furniture).



3 heights of feet,
delivered with the wine cabinet



Technical solid door
(thickness of the decor panel = 20mm max.
weight of the decor panel: 12Kg)



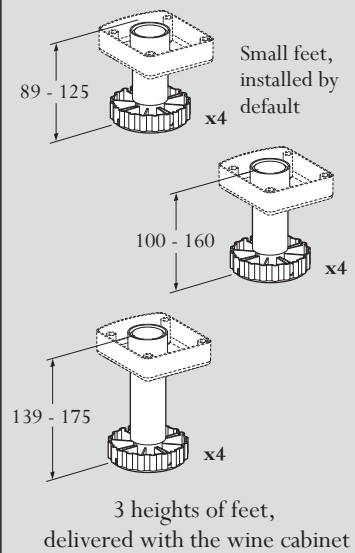
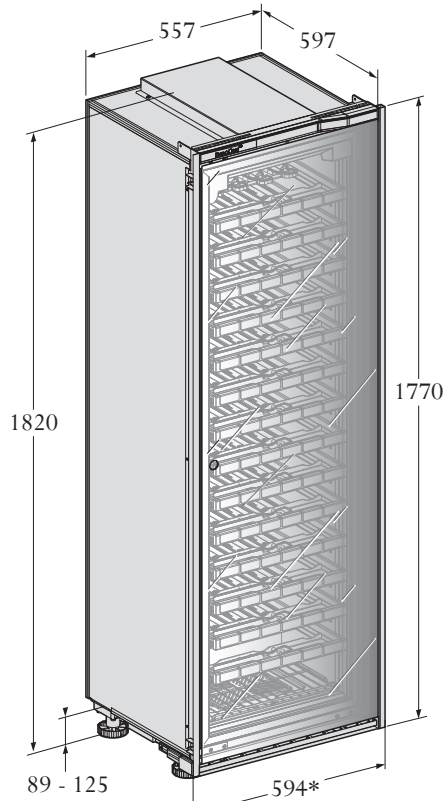
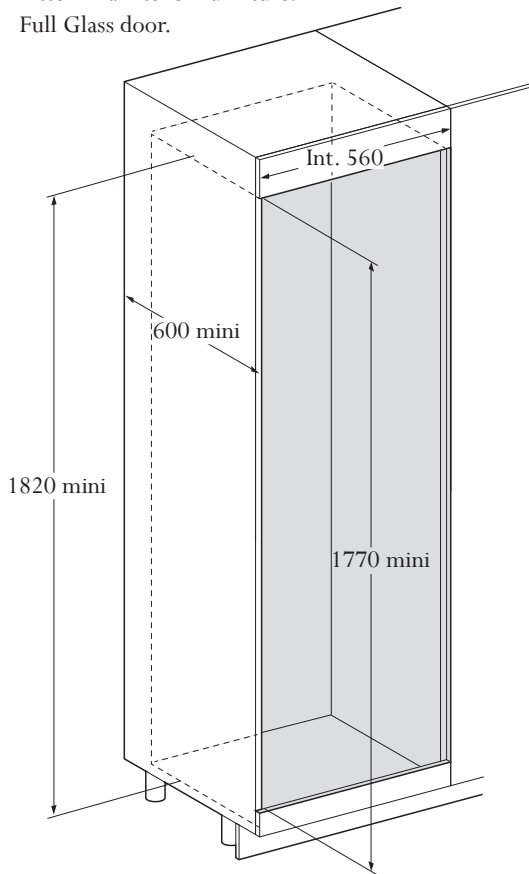
Stainless steel glass door



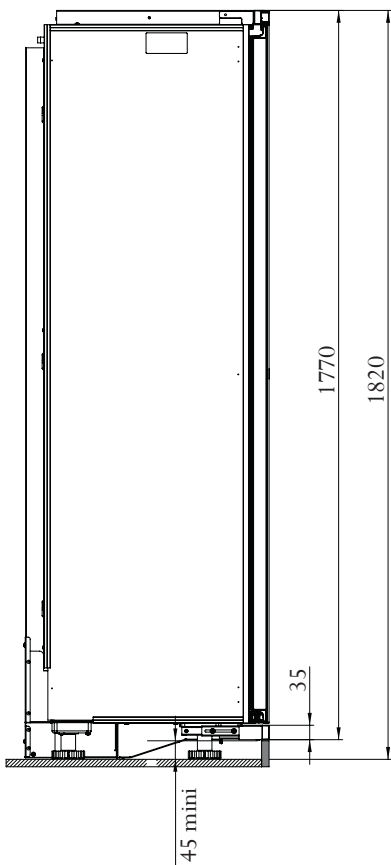
Technical glass door
(thickness of the decor panel = 20mm max.
weight of the decor panel: 12Kg)

L size Ref. V-INSP-L "Flush-fitted" version

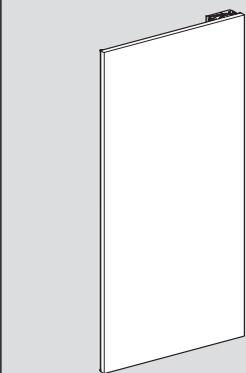
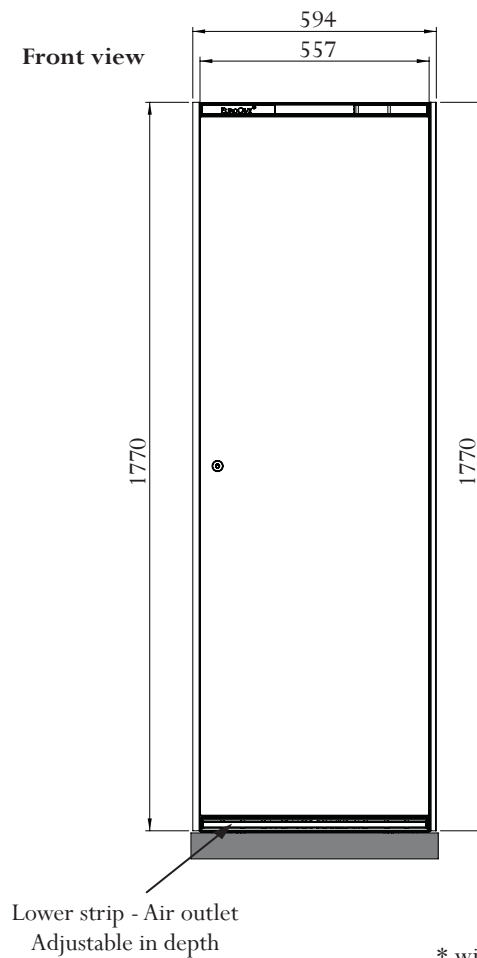
Fitted in a kitchen furniture.
Full Glass door.



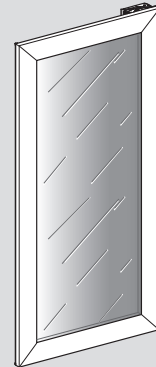
Side view



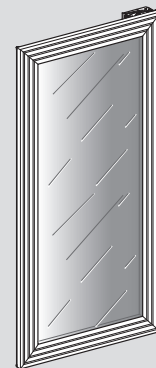
Front view



Technical solid door
(thickness of the decor panel = 20mm max.
weight of the decor panel: 12Kg)
Do not use the fillers. Refer on p.8.



Stainless steel glass door



Technical glass door
(thickness of the decor panel = 20mm max.
weight of the decor panel: 12Kg)
Do not use the fillers. Refer on p.8.

* with fillers.

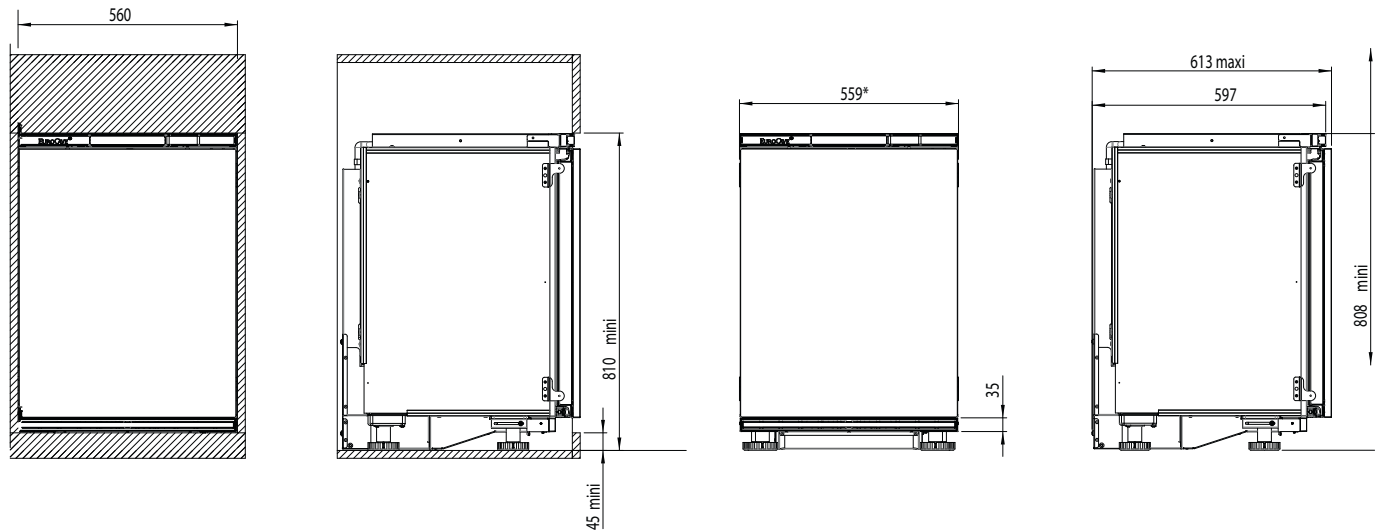
S & L models

Focus on the "flush-fitted" version, with technical glass door or technical solid door.

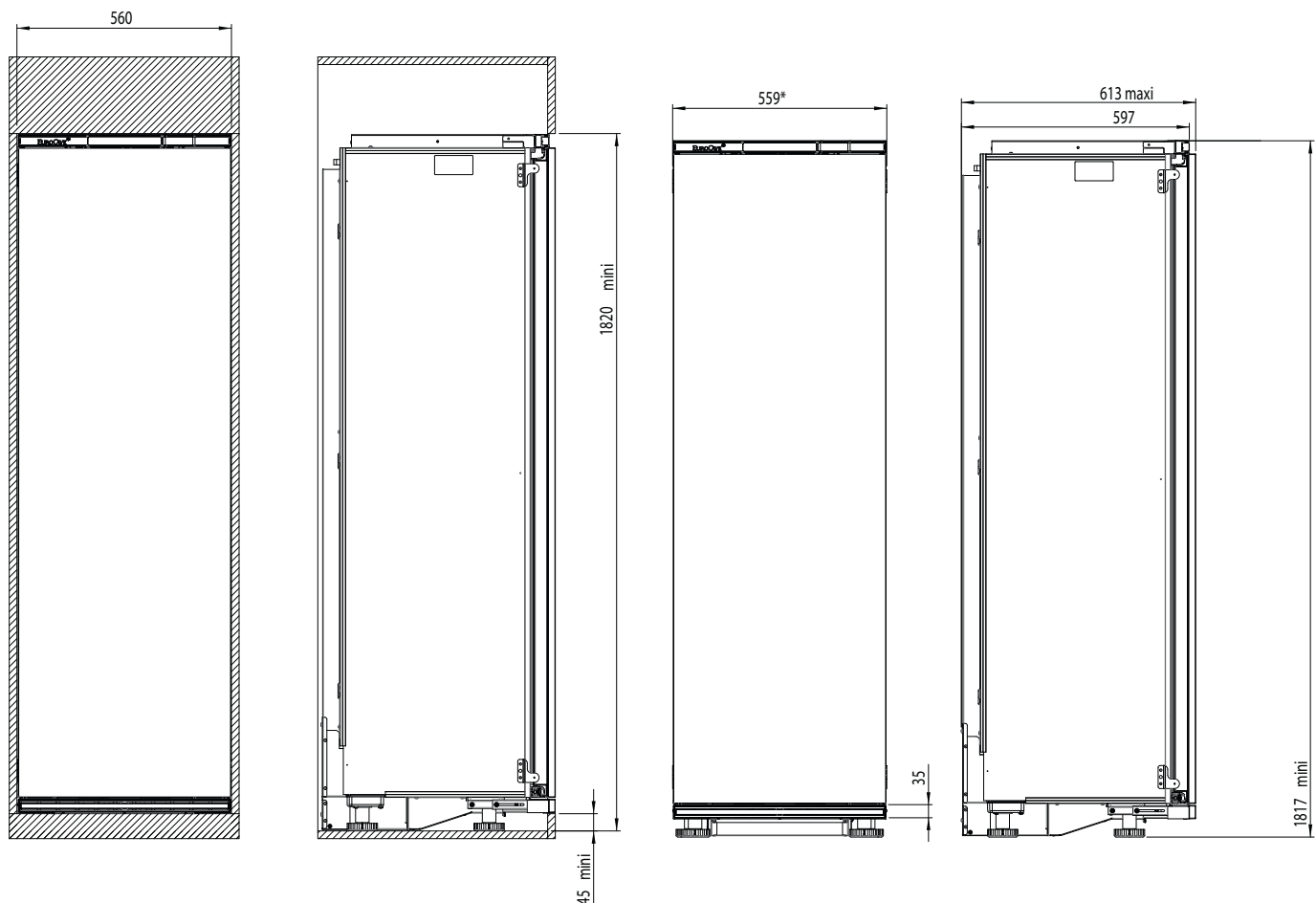
Do not use the lateral fillers, but use the 4 mounting brackets delivered with the wine cabinet.

You can also use the 4 mounting brackets for a "flush-fitted" installation, with the full glass door and the stainless steel glass door, instead of using the fillers.

S model :



L model:



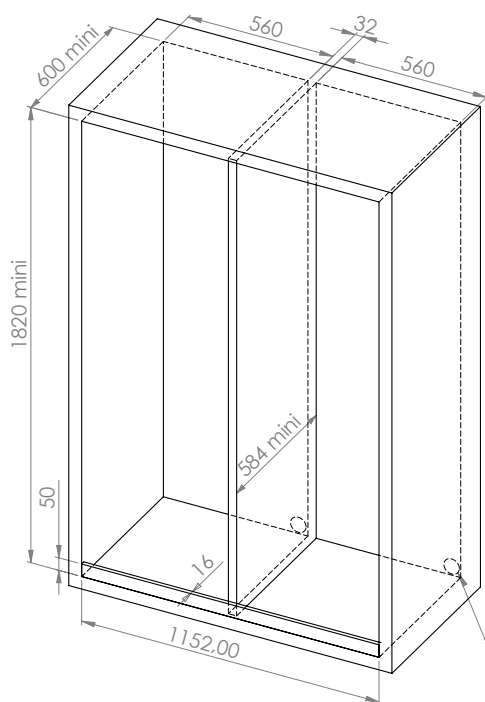
*Width including the 4 mounting brackets.

Installing two cabinets side by side

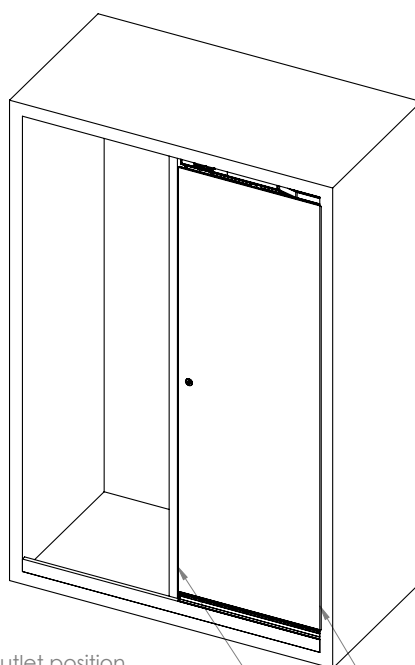
Please note: If installing two cabinets side by side, they must be placed in two separate kitchen unit casings. This allows adequate circulation of air around the cabinets, ensuring that they function correctly.

If the width of the two casings side by side is less than 1,200 mm, it is possible to install a single wall between the two cabinets.

In the case of a standard installation with two casings 600 mm wide, it is possible to install two walls between the two cabinets.



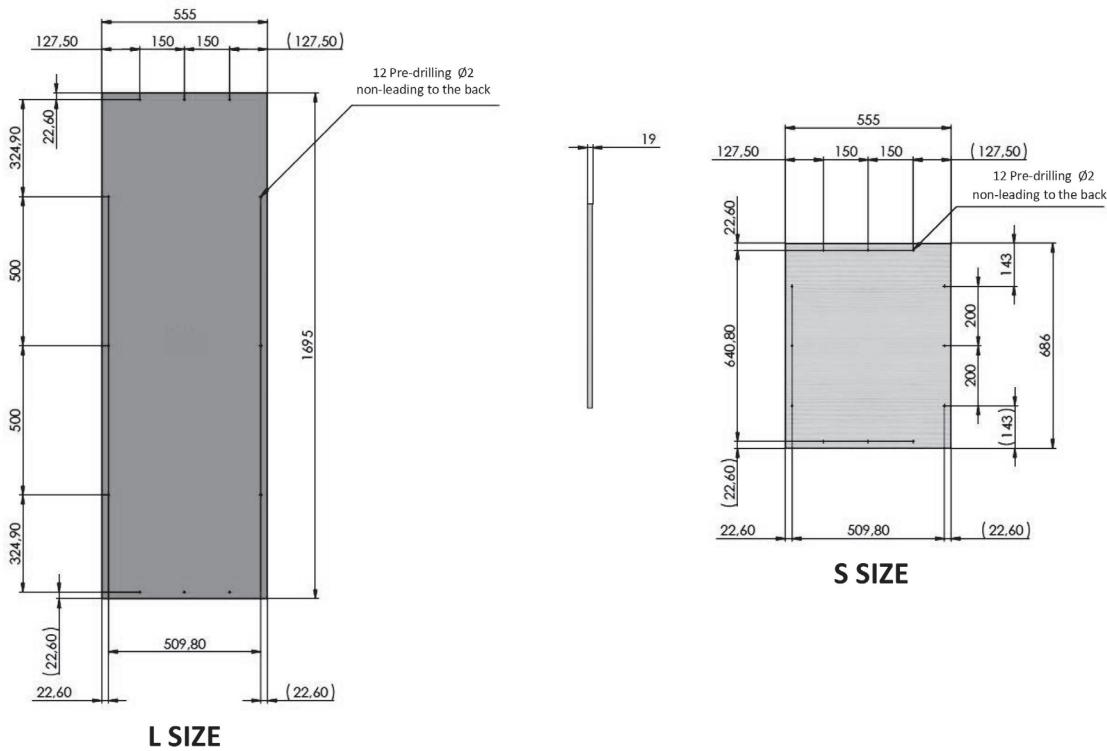
Outlet position
Length of
the power cord: 2m



Use the mounting brackets
on the hinge side

Use the mounting brackets or
the handle threader on the handle side.

Dimensions of the decor panel for technical solid doors



Dimensions of the decor panel for technical glass doors

